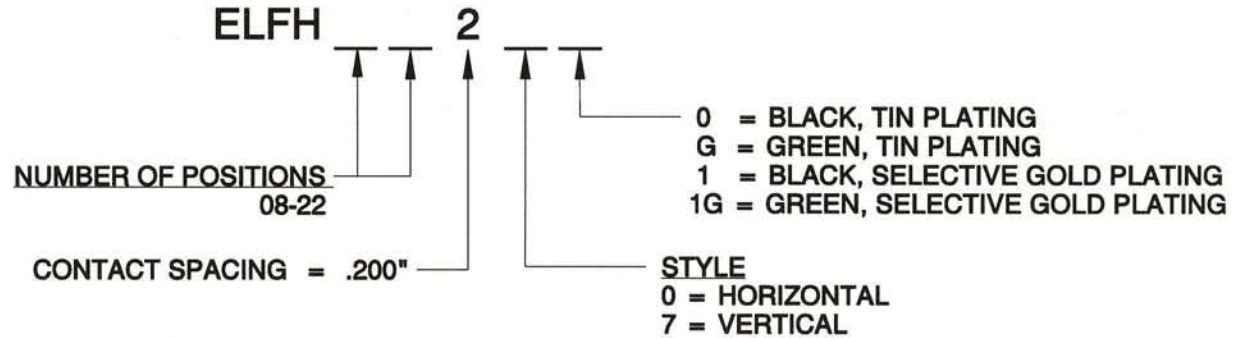


REV	ECN	APP'D
-	4032	IQ 7/11/00
A	4368	IQ 5/58/01
B	5742	RW 12/28/05

ELFH ASSEMBLY PART NUMBERING SCHEME



RATINGS

CURRENT - 20A
VOLTAGE - 300V
U.L. FILE NO. E83421



RATINGS

CURRENT - 20A
VOLTAGE - 300V
CSA FILE NO. LR69703

DIN VDE 0627:1986
DIN VDE 0110-1:1989
EN 60947-1:1991
EN 60947-7-1:1992

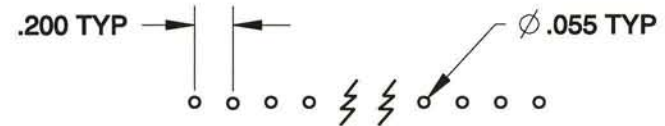
CURRENT - 15 A
VOLTAGE - 300 V
TUV FILE NO. 20396

MATERIALS:

HOUSING: NYLON, UL 94 V-0
CONTACT: COPPER ALLOY, FINISH:
TIN, 200-300 MICROINCH
OVER NICKEL, 50-100 MICROINCH.

MAX OPERATING TEMPERATURE:
105° C

PRINTED CIRCUIT BOARD CONFIGURATION



RECOMMENDED PCB THICKNESS: .062 ± .008

DIMENSIONS

ANSI Y14.5M
UNITS: INCHES
Pro/E FILE

TOLERANCES

.XX ±0.01
.XXX ±0.005
ANGLES ±2.0°

PROJECTION



Amphenol Pcd

ENGR

S. KONDO 6/30/00

CHKD

ALAN PATRIE 7/11/00

APPD

I. QUINN 7/11/00

TITLE

ELF SERIES HEADER
WITH EJECTOR EARS
.200" CL

ORIGINAL
STAMPED
IN RED

THIS DOCUMENT CONTAINS
PROPRIETARY INFORMATION WHICH
IS THE CONFIDENTIAL PROPERTY
OF AMPHENOL PCD, INC.
PEABODY, MA, USA

SIZE

A

DWG NO.

ELFH08200

REV

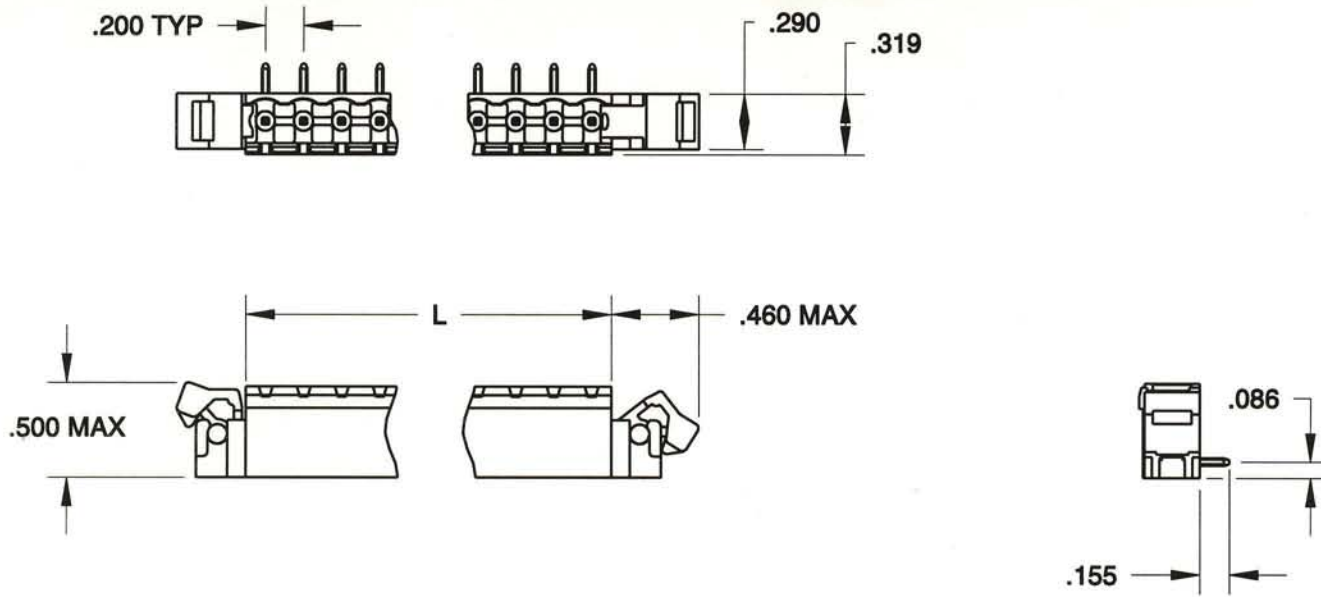
B

CODE: 58982

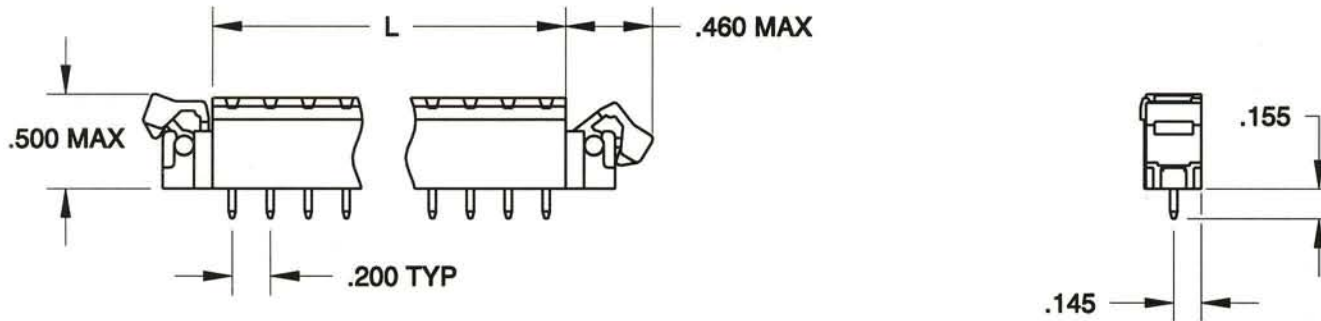
SCALE: NONE

SHEET 1 OF 2

HORIZONTAL



VERTICAL



L = NUMBER OF POS. X .200



SIZE	DWG NO.	REV
A	ELFH08200	B
CODE: 58982	SCALE: NONE	SHEET 2 OF 2